

OLÉ WOOD

Visitor Chair Task Frame

Designed by Ximo Roca. Made in Italy

FEATURES

Winner of a 'Good Design' award, the OLÉ chair boasts an elegant and sophisticated design with a distinctive silhouette that's destined to be the focal point in any room.

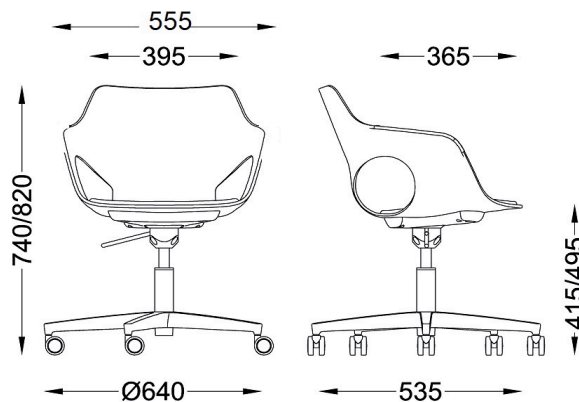
The OLÉ circular profile and side openings are visually striking and create a unique balance of design and functionality. OLÉ is available in a range of vibrant and contemporary shell colours.

The OLÉ is synonymous with comfort and ideally suited to any office, restaurant, conference, break out or student environment.

- › One piece FSC plywood shell
- › Five star aluminium flat base
- › Gas lift height adjustment
- › 60mm castors



DIMENSIONS mm



FRAME COLOURS

- › Polished Aluminium

UPHOLSTERY OPTIONS

- › Seat panel

SHELL COLOURS



Natural
Oak
(Stocked)

White
Oak
(Custom)

Wenge
(Custom)