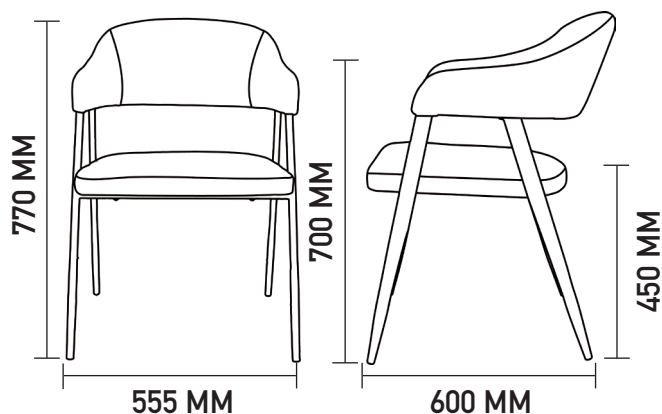


# MALMO

## CHAIR

### DIMENSIONS



PRODUCT (KG)



6.8

KD



PCS/TN

0.142 m<sup>3</sup>

NOT STACKABLE



### FRAME

Mild Steel Tube

### USE

Indoor

### ORIGIN

China

### DESCRIPTION

The Malmo chair incorporates a contemporary look, built for comfort. They are manufactured with mild steel tube, high density foam and upholstered in Warwick Fabrics Gravity COL. Slate. This chair is ideal for hospitality dining, waiting areas and office spaces.

### SEAT & BACK OPTIONS:

WFSL02

GRAVITY SLATE

### FRAME FINISH OPTIONS:

BLACK