

BEAM SEATING

POD BEAM



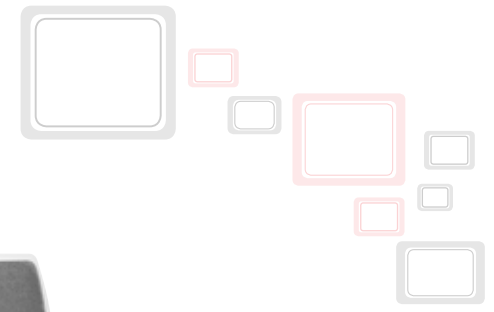
FEATURES

- » Optional 2, 3 or 4 seater
- » Suitable for indoor use only
- » Heavy duty black metal beam frame
- » Adjustable feet
- » Available in black, red and white plastic
- » Available in local fabrics
- » 4 Year warranty
- » Weight limit for 2 seater is 200kg
- » Weight limit for 3 seater is 300kg
- » Weight limit for 4 seater is 350kg

PLASTIC COLOUR



POD BEAM



WEIGHT LIMIT
200
Kilogram



P-BEAM 2RU

WEIGHT LIMIT
200
Kilogram



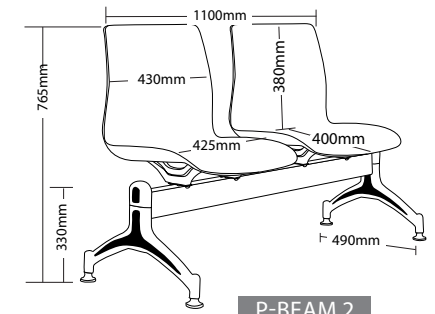
P-BEAM 2WU

WEIGHT LIMIT
200
Kilogram

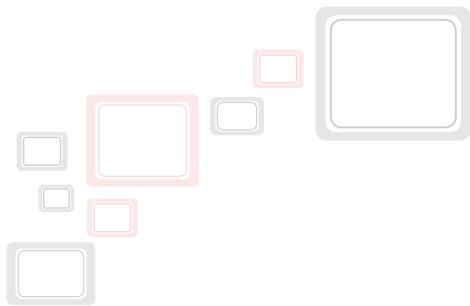


P-BEAM 2BU

SIZE



P-BEAM 2



POD BEAM



PLASTIC COLOUR



B-Black R-Red W-White

FEATURES

- » Optional 2, 3 or 4 seater
- » Suitable for indoor use only
- » Heavy duty black metal beam frame
- » Adjustable feet
- » Available in black, red and white plastic
- » Available in local fabrics
- » 4 Year warranty
- » Weight limit for 2 seater is 200kg
- » Weight limit for 3 seater is 300kg
- » Weight limit for 4 seater is 350kg



P-BEAM 3WU



P-BEAM 3BU



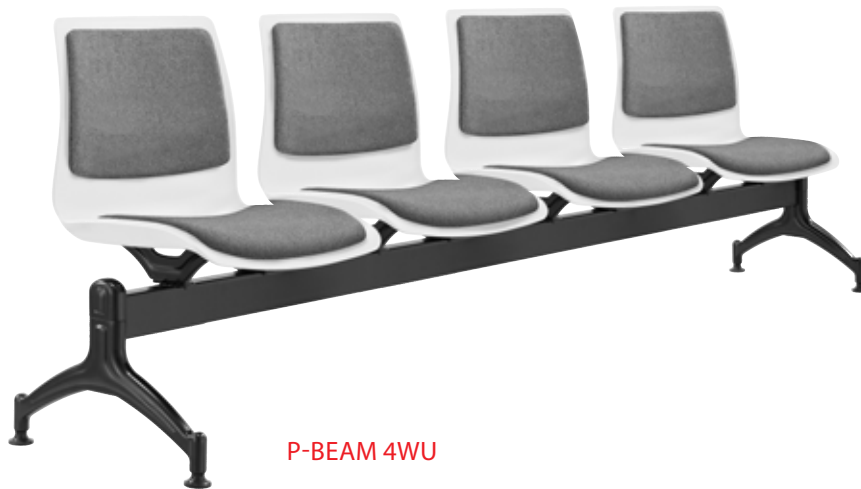
P-BEAM 3RU

WEIGHT LIMIT
350
Kilogram



P-BEAM 4BU

WEIGHT LIMIT
350
Kilogram



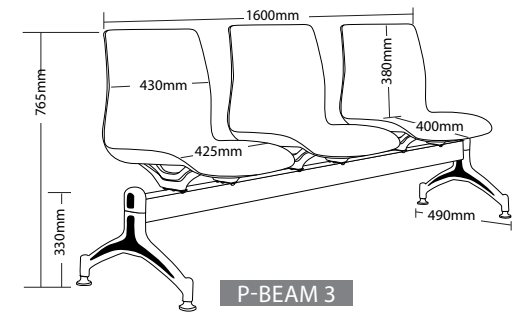
P-BEAM 4WU

WEIGHT LIMIT
350
Kilogram

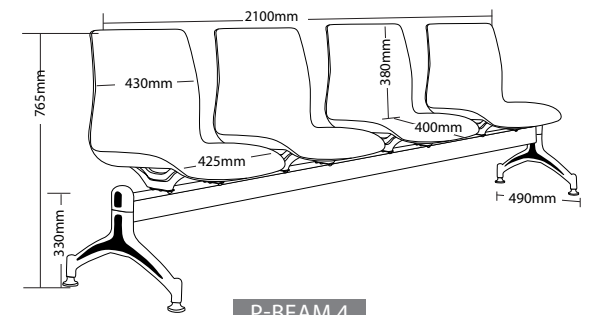


P-BEAM-4RU

SIZE



P-BEAM 3



P-BEAM 4