

UNI FLIP

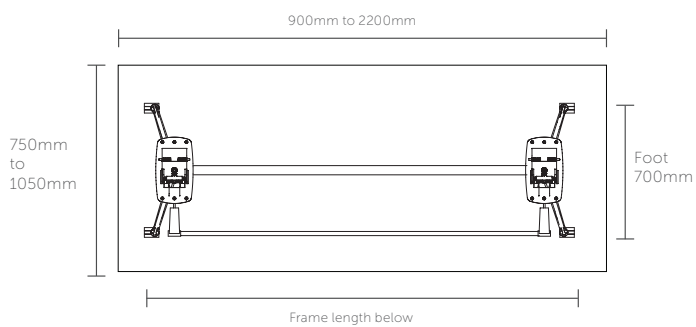
The innovative Uni Flip table supports modern work dynamics as a superb choice for conference, training, meeting and catering facilities as well as quickly meeting the demand for extra working space for projects.



UNI FLIP TABLES



FRAME SIZE



Total Frame Length

- AU-FWFLRAIL50 = 800mm**
- AU-FWFLRAIL80 = 1100mm**
- AU-FWFLRAIL110 = 1400mm**
- AU-FWFLRAIL140 = 1700mm**



Showing Uniflip Silver 1800mm x 750mm Flip Table with mixed colour Link chairs

STANDARD FEATURES

- White/Silver powdercoat or Chrome posts, frames, rail & pullbars, black castors
- Worksurfaces are manufactured to the melamine of your choice.
- Locking Castors

STANDARD FRAME SIZES ACCOMMODATE WORKSURFACE SIZES

- 1200w x 750d mm
- 1500w x 750d mm
- 1800w x 750d mm
- 1800w x 900d mm



Uni Flip White Powdercoat



Uni Flip Silver Powdercoat



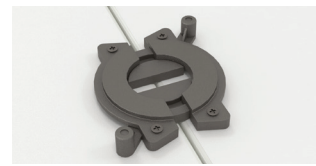
Uni Flip Chrome



White Table Link Locked



White Table Link Unlocked

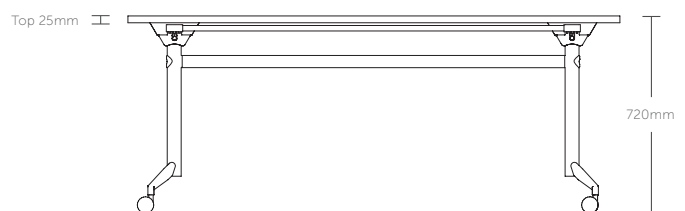
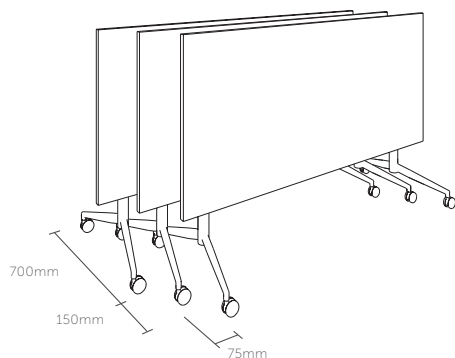


Black Table Link Locked



Black Table Link Unlocked

NESTING DIMENSIONS





WORKSTATIONS



TABLES



STORAGE



SCREENS



SEATING